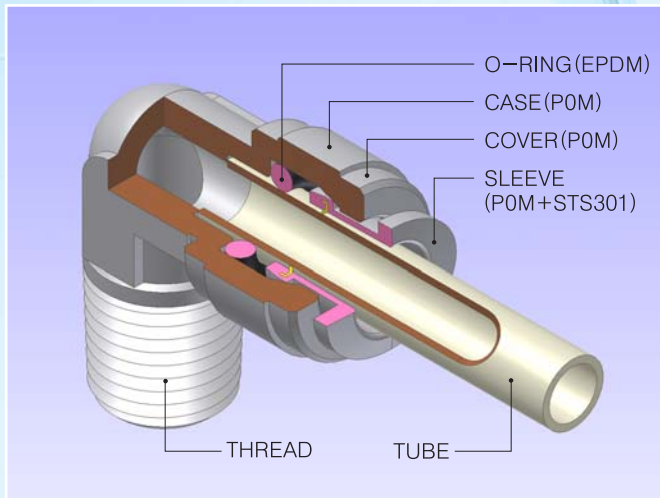




**Fitting for
Potable Water,
Drinks Dispense,
Beverages**



Material /Structure



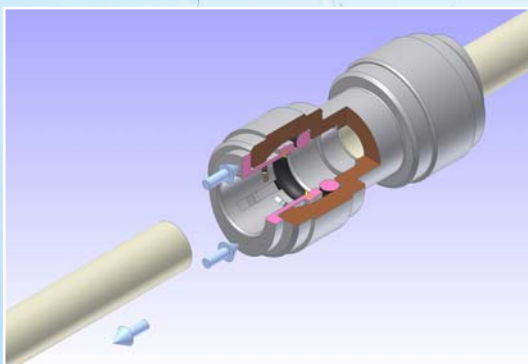
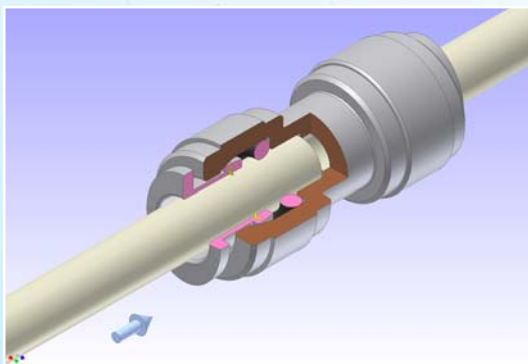
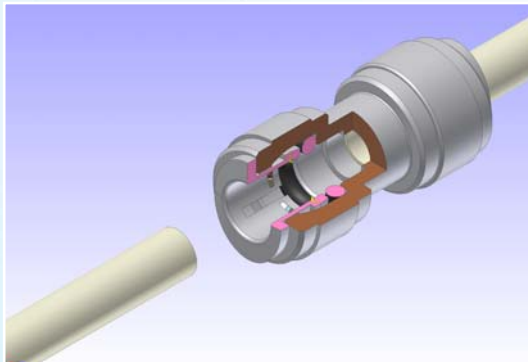
Specifications

Fluid type	Water, Beverages	
Tube type	Polyethylene(PE), Polyamide(PA) and Polyurethane(PU)	
Temperature	Working Pressure	
	4mm~8mm	10mm~12mm
1 °C	16Bar	10Bar
25 °C	16Bar	10Bar
70 °C	10Bar	7Bar

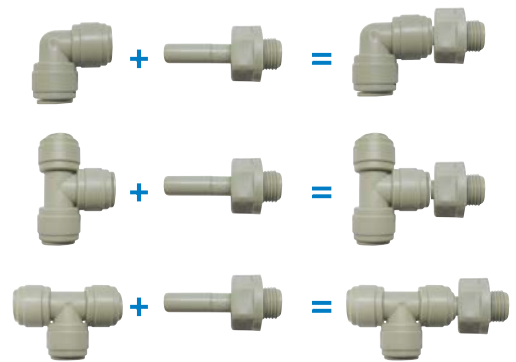
Maximum Torque Values for BSP, BSPT and NPT Plastic Threads

Threads	1/8	1/4	3/8	1/2
Max. Torque	1.5N.m	1.5N.m	3.0N.m	3.0N.m

Connection & Disconnection



Adaptability



Fitting for Potable Water, Drinks Dispense, Beverages

HPC

Straight Adaptor



Part No.	Tube(∅)	Thread(BSP)
HPC 06T01	6	1/8
HPC 06T02	6	1/4
HPC 08T01	8	1/8
HPC 08T02	8	1/4
HPC 10T03	10	3/8
HPC 10T04	10	1/2
HPC 12T03	12	3/8
HPC 12T04	12	1/2

HPCG



Part No.	Tube(∅)	Thread(BSP)
HPCG 04G01	4	1/8
HPCG 04G02	4	1/4
HPCG 06G01	6	1/8
HPCG 06G02	6	1/4
HPCG 08G01	8	1/8
HPCG 08G02	8	1/4
HPCG 08G03	8	3/8
HPCG 08G04	8	1/2
HPCG 10G02	10	1/4
HPCG 10G03	10	3/8
HPCG 10G04	10	1/2
HPCG 12G03	12	3/8
HPCG 12G04	12	1/2

HCGJ

Stem Adaptor



Part No.	Stem(∅)	Thread(BSP)
HCGJ 04G01	4	1/8
HCGJ 04G02	4	1/4
HCGJ 06G01	6	1/8
HCGJ 06G02	6	1/4
HCGJ 08G01	8	1/8
HCGJ 08G02	8	1/4
HCGJ 08G03	8	3/8
HCGJ 10G02	10	1/4
HCGJ 10G03	10	3/8
HCGJ 10G04	10	1/2
HCGJ 12G03	12	3/8
HCGJ 12G04	12	1/2

HPL

Fixed Elbow



Part No.	Tube(∅)	Thread(BSP)
HPL 06T01	6	1/8
HPL 06T02	6	1/4
HPL 08T02	8	1/4
HPL 10T03	10	3/8
HPL 12T04	12	1/2

HUC

Equal Straight



Part No.	Tube(∅)	Tube(∅)
HUC 0404	4	4
HUC 0606	6	6
HUC 0808	8	8
HUC 1010	10	10
HUC 1212	12	12

HUL

Equal Elbow



Part No.	Tube(∅)	Tube(∅)
HUL 0404	4	4
HUL 0606	6	6
HUL 0808	8	8
HUL 1010	10	10
HUL 1212	12	12

HUT

Equal Tee



Part No.	Tube(∅)	Tube(∅)
HUT0404	4	4
HUT0606	6	6
HUT0808	8	8
HUT1010	10	10
HUT1212	12	12

Color Codes

HUT 0606- G	HUT 0606- B	HUT 0606- W
G(Gray)	B(Black)	W(Natural)